

GAM 80 High-Speed Automatic Ring Setting Machine

- For Printed Circuit Board Drilling House.
- In Accordance with ISO 9000 Requirements.
- High Speed, Accuracy, and Quality.
- LED Display Panel and Microprocessor Control.
- Low Cost of Labor.
- No Need for Compressed Air.

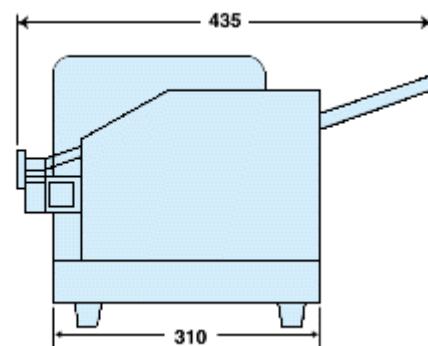
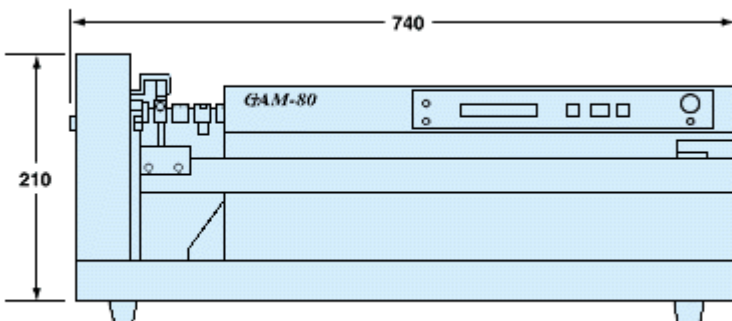


【Feature】

- Historically companies have has problems in setting drill collar to the correct length without damage of the drill bit. With a precise microprocessor control, the GAM-80 automatic ring set machine will overcome the problems previously faced and provide a highly accurate setting length with no drill damage.
- The GAM-80 is equipped with micro computer control. It is very easy to operate.
- The GAM-80 is almost free from lubricated maintenance. Cost saving operation.

【Specification】

Repeatability	+0.02mm	Construction	Painted with epoxy base paint
Micro Processor	Records data by memory	Display & Alarm	LED Digital Display
Capability	Revise data for save real time		Flash light with audio alarm
Quantity about	7000 bits/shift (8hours)	Operation	Touch panel, easy operation
Power Consumption	300 watts	Noise	Low operation noise
Power Supply	AC110V/220V 60Hz	External	750 x450 x220mm
Weight Approx	30Kg		



(Unit: mm)